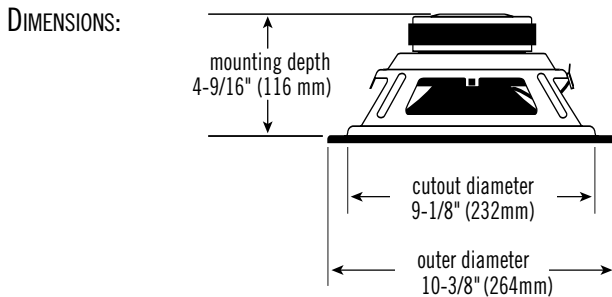


## SPECIFICATIONS

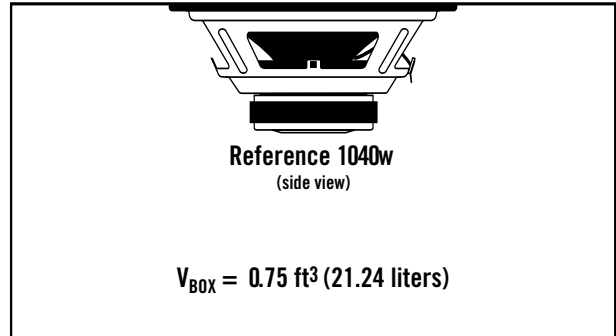
DIAMETER:	10" (250mm)
SENSITIVITY (2.83 V @ 1 m):	91 dB
POWER HANDLING:	250 W <sub>RMS</sub> 1000 W <sub>PEAK</sub>
FREQUENCY RESPONSE:	25 ~ 400 Hz
NOMINAL IMPEDANCE:	4 OHMS
VOICE-COIL DIAMETER:	2.0" (51.0 mm)



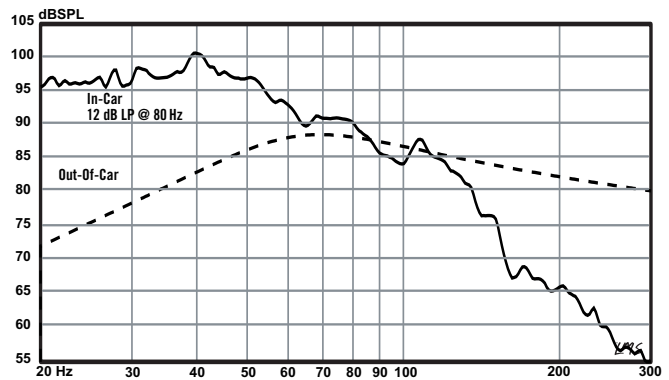
## THIELE-SMALL PARAMETERS

VOICE COIL DC RESISTANCE:	$R_{EVC}$ (OHMS) . . . . .	3.50
VOICE COIL INDUCTANCE @ 1 kHz:	$L_{EVC}$ (MH) . . . . .	2.73
DRIVER RADIATING AREA:	$S_D$ (IN <sup>2</sup> ) . . . . .	55.03
	$S_D$ (M <sup>2</sup> ) . . . . .	355.00
MOTOR FORCE FACTOR:	$BL$ (TM) . . . . .	13.93
COMPLIANCE VOLUME:	$V_{AS}$ (FT <sup>3</sup> ) . . . . .	1.34
	$V_{AS}$ (LITERS) . . . . .	37.98
SUSPENSION COMPLIANCE:	$C_{MS}$ (μM/N) . . . . .	211.00
MOVING MASS, AIR LOAD:	$M_{MS}$ (GRAMS) . . . . .	142.70
MOVING MASS, DIAPHRAGM:	$M_{MD}$ (GRAMS) . . . . .	138.90
FREE-AIR RESONANCE:	$F_S$ (Hz) . . . . .	29.00
MECHANICAL Q:	$Q_{MS}$ . . . . .	7.36
ELECTRICAL Q:	$Q_{ES}$ . . . . .	0.47
TOTAL Q:	$Q_{TS}$ . . . . .	0.44
MAGNETIC-GAP HEIGHT:	$H_{AG}$ (IN) . . . . .	3/8
	$H_{AG}$ (MM) . . . . .	9.00
VOICE-COIL HEIGHT:	$H_{VC}$ (IN) . . . . .	1-1/4
	$H_{VC}$ (MM) . . . . .	32
MAXIMUM EXCURSION:	$X_{MAX}$ (IN) . . . . .	7/16
	$X_{MAX}$ (MM) . . . . .	11.50

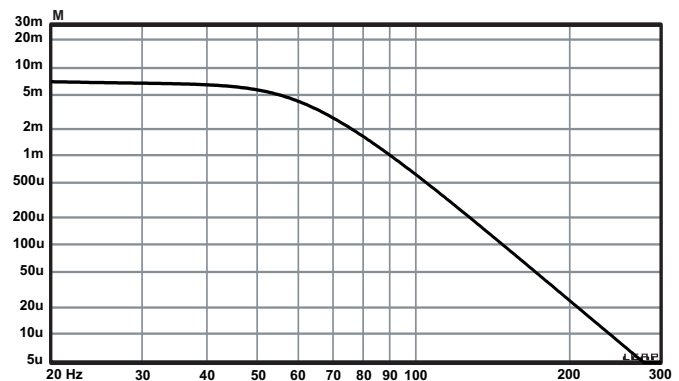
## SEALED BOX VOLUME (INCLUDES DRIVER DISPLACEMENT)



## SEALED ENCLOSURE FREQUENCY RESPONSE @ 2.83 V



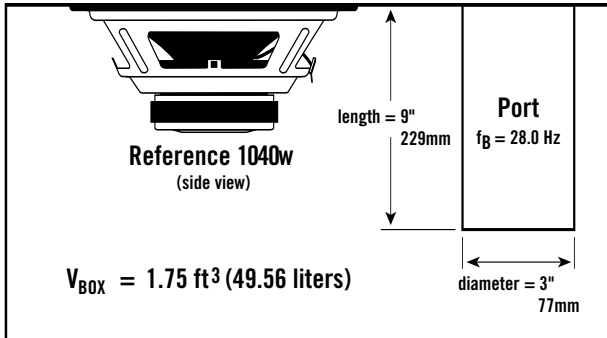
## SEALED ENCLOSURE CONE EXCURSION @ 250 W



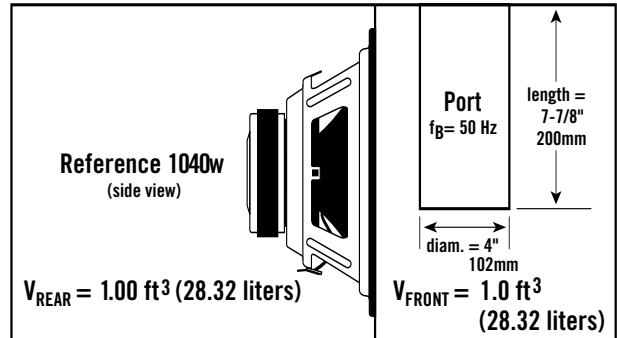
# Infinity Reference 1040w 10" Woofer – Technical Data

CAR AUDIO

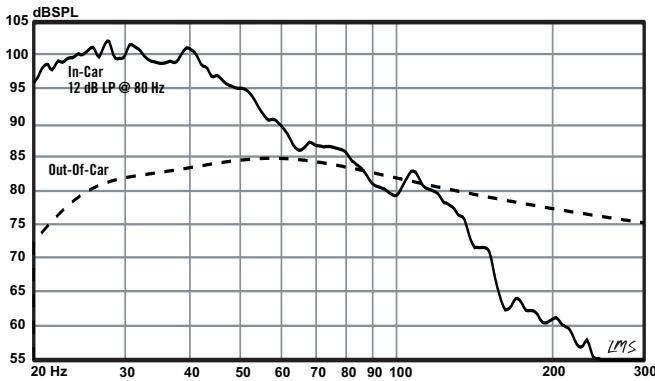
## VENTED BOX VOLUME (INCLUDES DRIVER/PORT DISPLACEMENTS)



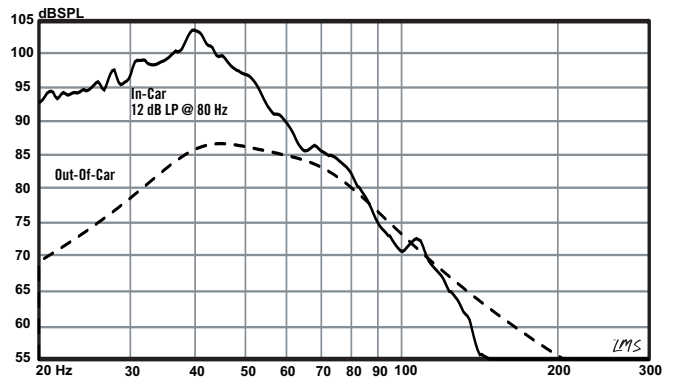
## BANDPASS BOX VOLUME (INCLUDES DRIVER/PORT DISPLACEMENTS)



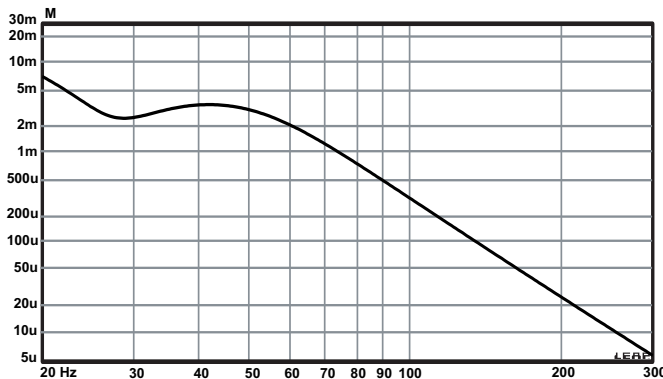
## VENTED ENCLOSURE FREQUENCY RESPONSE @ 2.83 V



## BANDPASS ENCLOSURE FREQUENCY RESPONSE @ 2.83 V



## VENTED ENCLOSURE CONE EXCURSION @ 250 W



## BANDPASS ENCLOSURE CONE EXCURSION @ 250 W

